



**ADJUSTABLE
AIR-HYDRAULIC
SLIDING JACKBEAM
5000 lbs.**

(215)

INSTALLATION AND OPERATION MANUAL

**SAVE ALL INSTRUCTIONS
READ ALL INSTRUCTIONS
THOROUGHLY BEFORE
INSTALLING, OPERATING,
SERVICING, OR
MAINTAINING THE LIFT.**



**65000 Millcreek Drive, Mississauga, Ontario, L5N 2W6
Tel: (905) 826-8600
Fax: (905) 826-7800**

JAN 2008 REV.-. 6-3686

JACKING BEAM INSTALLATION AND OPERATION MANUAL

The jacking beam should only be used with lifts installed on level concrete floors conforming to the installation instructions for the lift. Consult lift installation instructions for concrete thickness and strength requirements. Ensure clearance around and above lift conforms to installation instructions for the lift.



ATTENTION! This lift is intended for indoor installation only. It is prohibited to install this product outdoors. Operating environment temperature range should be 41 – 104 °F (5 – 40 °C). Failure to adhere will result in decertification, loss of warranty, and possible damage to the equipment.

Installation of lifts shall be performed in accordance with ANSO/ALI ALIS, Safety Requirements for Installation and Service of Automotive Lifts

For additional safety instructions regarding lifting, lift types, warning labels, preparing to lift, vehicle spotting, vehicle lifting, maintaining load stability, emergency procedures, vehicle lowering, lift limitations, lift maintenance, good shop practices, installation, operator training and owner/employer responsibilities, please refer to “Lifting It Right” (ALI/SM) and “Safety Tips” (ALI/ST).

For additional instruction on general requirements for lift operation, please refer to “Automotive Lift-Safety Requirements For Operation, Inspection and Maintenance” (ANSI/ALI ALOIM).

+ 070126-Quadra-WLSIA01

SAFETY INSTRUCTIONS

If attachments, accessories or configuration modifying components that are located in the load path, affect operation of the lift, affect the lift electrical listing or affect intended vehicle accommodation are used on this lift and, if they are not certified for use on this lift, then the certification of this lift shall become null and void. Contact the participant for information pertaining to certified attachments, accessories or configuration modifying components.

www.autolift.org

©2007 by ALI, Inc.

ALI / WLSIA01

Specifications

Maximum Capacity:

Width Rail to Rail:

Down Position Height:

Maximum Raised Height:

Power Requirements:

Shipping Weight:

5000 lbs	2268 kg
38" to 42"	965 mm to 1067 mm
10-1/2"	267 mm
20-7/8"	530 mm
90 – 120 psi Shop Air	
329 lbs	149 kg

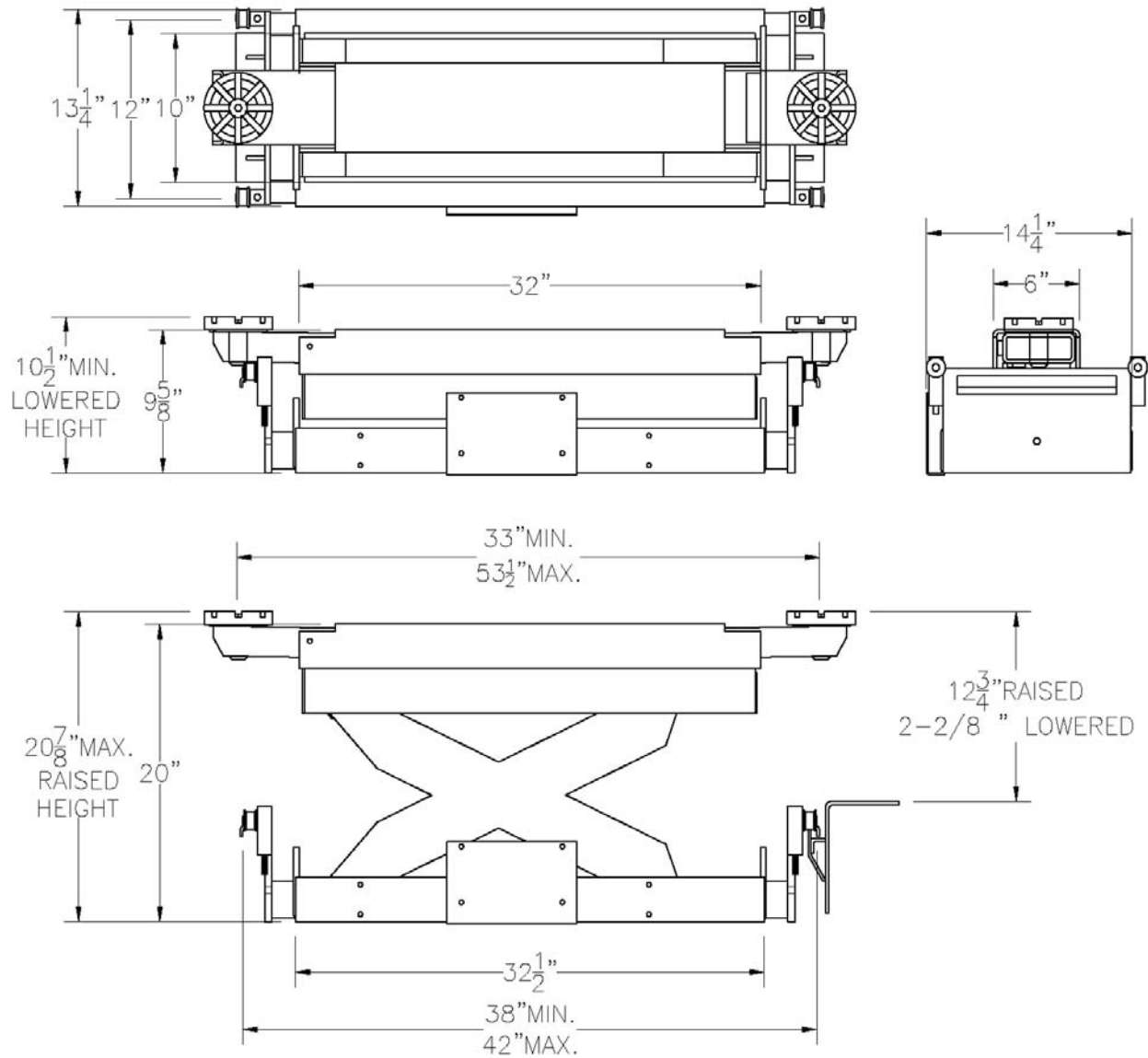


Figure 1- Jacking beam plan and elevation views

Contents

The jacking beam is fully assembled and packaged to protect it from any damage that may occur during shipping. Included are the following components:

- Jacking beam assembly
- Jacking beam keeper kit

Installation

1. Position the jacking beam on the lift so that the rollers rest on the rails on the inside edges of the runways. The pump side of the jacking beam should face outwards.
2. Bolt on the keeper brackets using the supplied hardware in the keeper kit.
3. The jacking beam must be connected to the air supply in order to operate. Install the ¼” nipple from the keeper kit on to the pump.
4. Attach ¼” NPT 90° elbow in the keeper kit to the ¼” nipple.
5. Attach the recoil hose to the ¼” NPT 90° elbow.
6. Attach the other end of the recoil hose to the air fitting on the side of the lift runway.

NOTE: Keep the air source clean and make certain that an air filter/oiler is used to keep dirt out of the air motor. Failure to provide clean air may void manufacturers warranty.

Positioning of Jacking Beam on Lift

1. The jack must be positioned on the lift correctly prior to usage.
2. Pull out each adapter from the sides of the Jacking Beam and place lift so that the center of the rollers is on the jack beam rails.
3. To ensure that the Jacking Beam is centered between the decks, the adapters must be equally spaced on both side of the base. Tighten stop screws.

NOTE: DO NOT EXTEND ADAPTERS MORE THAN 3" FROM BASE. SAFETY STOP SCREWS ARE PROVIDED.

Positioning of Vehicle on Jacking Beam

1. The vehicle must be positioned correctly on the lift prior to raising the vehicle with the jacking beam.

LIFTING AN IMPROPERLY POSITIONED VEHICLE WITH THE JACK BEAM INCREASES THE POSSIBILITY OF ONE DECK LEADING OR LAGGING THE OTHER DECK.

NOTE: USE ONLY THE SAME LIFTING PADS ON BOTH ARMS.

2. Move the jacking beam to the desired pickup area and connect the air line (if not permanently connected).

NOTE: EASE OF POSITIONING WHILE JACKING BEAM IS NOT UNDER LOAD IS DUE TO THE TRACK ROLLER ASSEMBLIES. THE ROLLER ASSEMBLIES ARE SPRING LOADED TO CARRY THE WEIGHT OF THE JACK ONLY. WHEN THE JACKING BEAM IS UNDER LOAD THE JACK RESTS ON ITS STRUCTURE AND CANNOT BE MOVED.

3. With the jacking beam positioned at the desired working location, select the proper lifting pads. Insert the lifting pads into the arms.

NOTE: LIFT VEHICLE AT MANUFACTURER'S RECOMMENDED PICKUP POINTS ONLY. PLEASE REFER TO "LIFTING IT RIGHT" (ALI/SM).

4. With the vehicle's center of gravity equally spaced between the decks, the jacking beam can be used to lift the vehicle. Select lifting points that are the same distance from the centerline of the vehicle, i.e. position the jack beam pads so that they make contact at the same point on each side of the vehicle.

Raising the Jack Beam

1. Press the up button and hold until jacking beam is at full working height and the automatic safety is in place. Lower the jack beam onto the safety (Note: there are two safety stops to allow multiple working heights).

NOTE: NEVER WORK ON A VEHICLE UNLESS THE SAFETY LOCK IS ENGAGED AND THE JACKING BEAM CANNOT BE LOWERED.

Lowering the Jack Beam

1. To lower the jacking beam, first raise the jack up off the mechanical safety lock and release the safety lock using the safety release lever.

NOTE: THE SAFETY LEVER MUST BE MANUALLY HELD IN THE RELEASED POSITION.

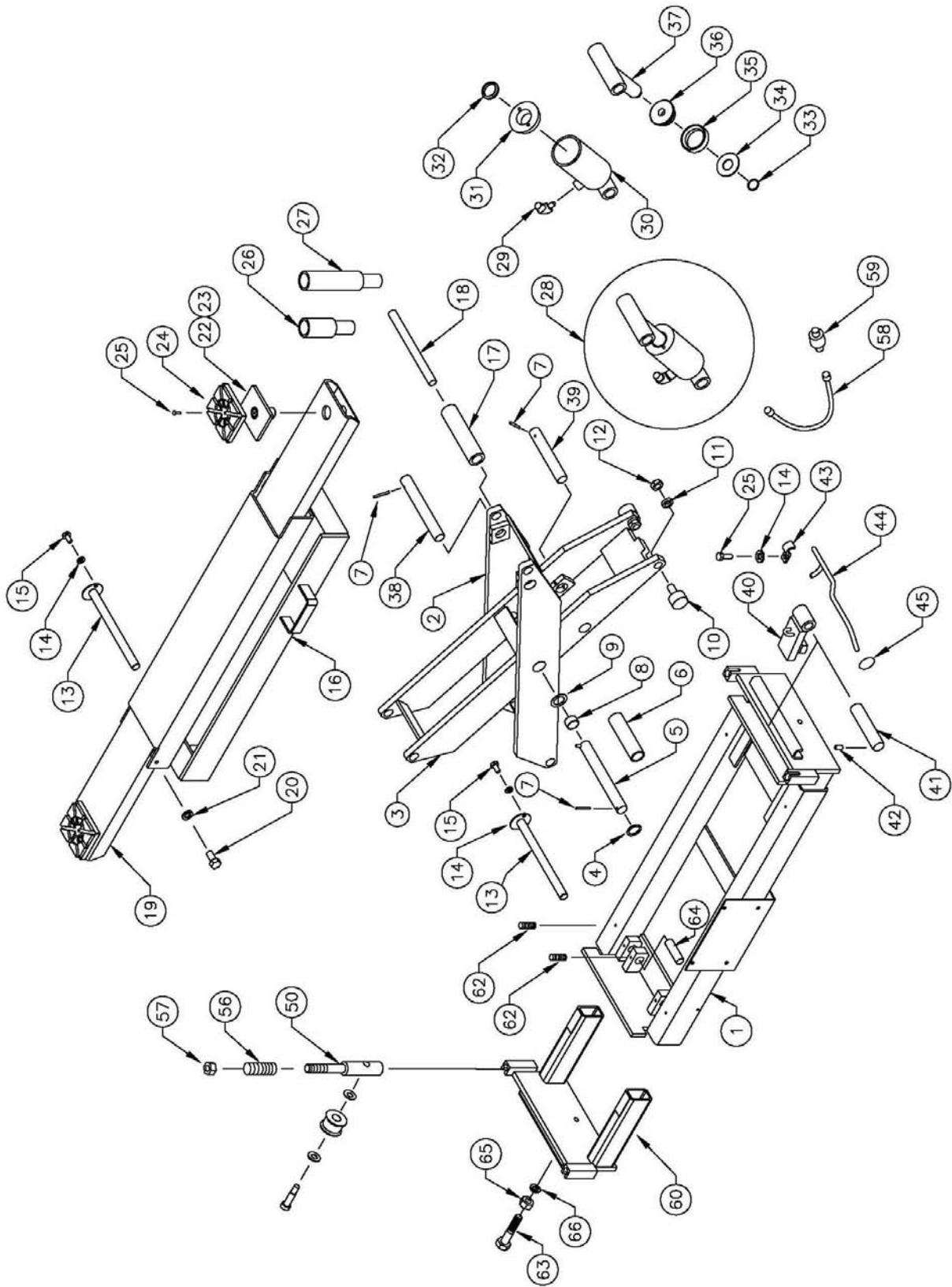
2. Press the control handle to release pressure allowing the jacking beam to lower to its full down position.
3. Never operate a jacking beam that is not in proper working order or in a manner not recommended by the vehicle or jacking beam manufacturer.

ALWAYS ENSURE THAT THE MECHANICAL SAFETY IS ENGAGED WHENEVER A VEHICLE IS SUPPORTED BY THE JACKING BEAM.

Recommended Maintenance

1. Inspect the jacking beam on a daily basis to ensure the jacking beam is in proper working condition.
2. Make certain that the automatic safety drops into place when the jacking beam is raised and that it will release when held in the down position during lowering.
3. Check the hydraulic fluid when jacking beam is in the lowered position by removing the filler breather cap.
4. Keep the air source clean and make certain that an air filter is used to keep dirt out of the air motor.
5. Keep the entire jacking beam as clean as possible at all times.
6. To maintain a clean shop air supply, (oil, lube, filter and regulator) should always be in good working order in conjunction with the use of an oiler/separator.

JACKING BEAM ASSEMBLY 5000 LBS.



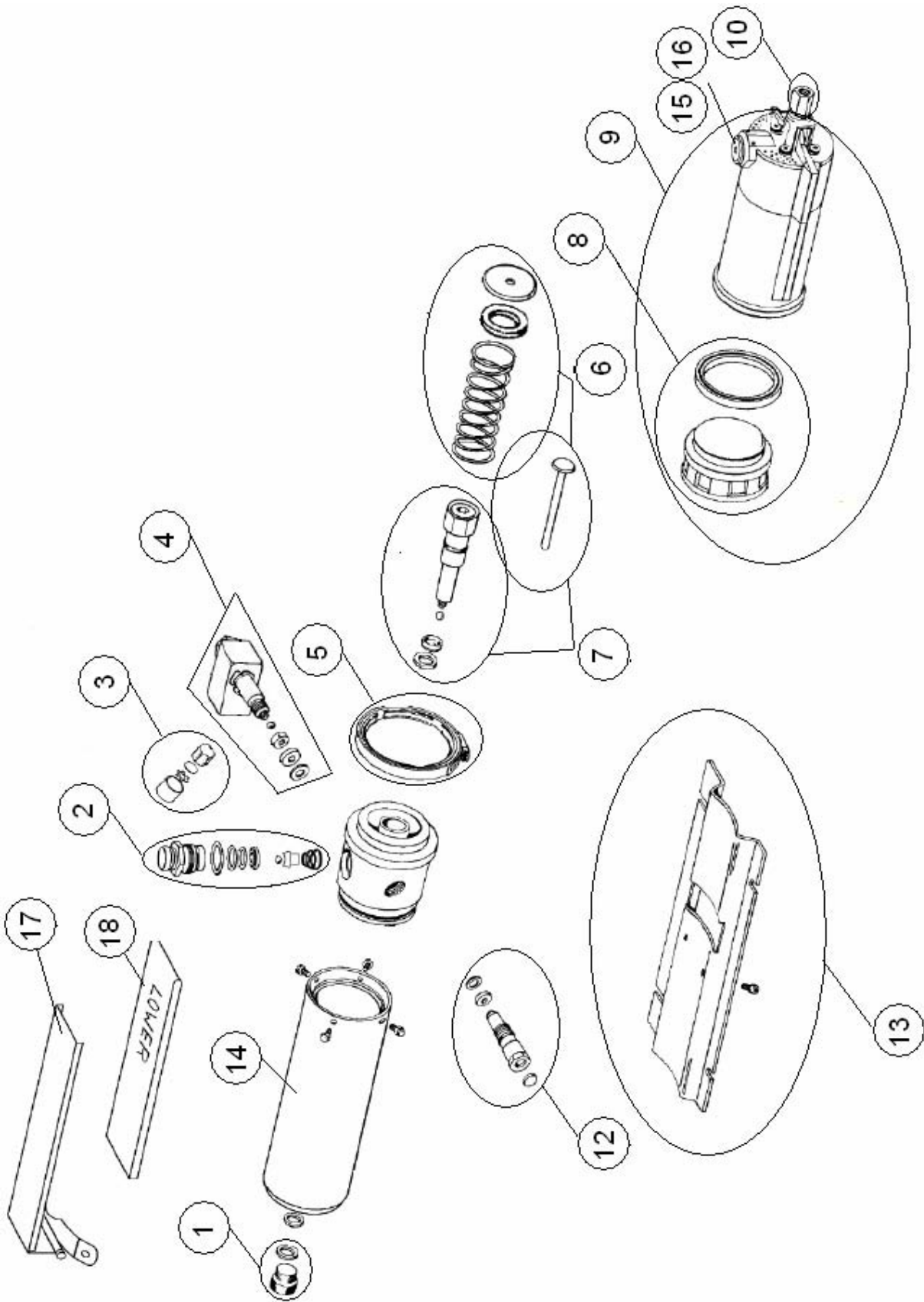
ITEM	QTY.	DESCRIPTION	PART #
1	1	BASE FRAME WELDMENT	3-0842
2	1	OUTER SCISSOR WELDMENT	3-0824
3	1	INNER SCISSOR WELDMENT	3-0825
4	1	WASHER, 1 1/32" ID	6-0807
5	1	SCISSOR CENTER SHAFT	1-2270
6	1	CENTER PIPE SPACER	1-0575
7	4	SPRING PI, 3/16" X 2" LG	6-0146
8	4	BUSHING	6-2320
9	2	THRUST WASHER	6-0328
10	2	CAM FOLLOWER	1-1269
11	2	SPACER	1-0228
12	2	JAM NUT, 5/8"-NF	6-0040
13	2	UPPER SCISSOR PIN	1-1999
14	4	LOCKWASHER, 1/4" ID	6-0056
15	2	SET SCREW 1/4 -20 X 1 1/2	6-0438
16	1	TOP WELDMENT	3-0725
17	1	ROLLER ASSEMBLY	1-1997
18	1	ROLLER SHAFT	1-1998
19	2	LIFTING ARM WELDMENT	2-1572
20	2	HEX HD BOLT, 3/8"-NC X 3/4" LG	6-0030
21	2	LOCKWASHER, 3/8" ID	6-0058
22	2	STACK PAD ASSEMBLY COMPLETE	1-3278
23	2	STACK PAD WELDMENT	2-2514
24	2	RUBBER PAD	3-0872
25	4	ALLEN HD FLAT SCREW 1/4" - 20 X 3/4" LG.	6-1086
26	2	STACK PAD ADAPTER, 3"	1-3280
27	2	STACK PAD ADAPTER, 6"	2-1580
28	1	CYLINDER ASSEMBLY COMPLETE	3-0474
29	1	VELOCITY FUSE	1-1726
30	1	CYLINDER TUBE WELDMENT	2-0911
31	1	GLAND	1-1152
32	1	ROD WIPER	6-0653
33	1	SNAP RING	6-0581*
34	1	KEEPER WASHER	1-1148*
35	1	SEAL AND WEAR RING	6-2915*
36	1	PISTON	1-1150
37	1	PISTON ROD WELDMENT	2-0913
38	1	OUTSIDE CYLINDER SHAFT	1-1158
39	1	INSIDE CYLINDER SHAFT	1-1163
40	1	SAFETY STOP WELDMENT	2-1577
41	1	SAFETY PIN	1-0561
42	2	SET SCREW, 1/4"-NC X 3/4" LG	6-0438
43	2	CLIP	6-0671
44	1	SAFETY LEVER ARM	1-3203
45	1	KNOB	6-0251

ITEM	QTY.	DESCRIPTION	PART #
50	4	ROLLER ASSEMBLY COMPLETE	2-0259
56	4	SPRING	6-0081
57	4	NYLON LOCKNUT, 3/8"-NC	6-0042
58	1	HYDRAULIC HOSE	1-0765
59	1	ADAPTER, 3/8"NPT-M x 3/8"JIC-M	6-0011
60	2	ROLLER ADAPTER	3-0914
62	6	SET SCREW 1/4"-20UNC x 1/2" LG	6-0438
63	2	HEX HD. BOLT 1/2"-13UNC x 1 3/4" LG. G5	6-0047
64	2	LOWER SCISSOR PIN	1-2361
65	2	HEX NUT, 1/2"-13UNC	6-0035
66	2	LOCK WASHER, 1/2"ID	6-0059
NOTE	1	AIR/HYDRAULIC PUMP COMPLETE	6-3334
NOTE	1	SCISSOR ASSEMBLY COMPLETE	3-0826
	NOTE:	PART NUMBERS MARKED WITH AN ASTERIX (*) ARE CONTAINED IN REPAIR KIT NUMBER 0-1287	

- **THE FOLLOWING PARTS ARE FOR (-L) MODELS, REAR, LEFT SIDE AIR CONNECTION**

QTY.	DESCRIPTION	PART #
1	STREET TEE	6-0015
2	1/4"NPT TO 3/8" PLOYTUBE	6-0710
1	1/2" TUBE CLAMP	6-0536
1	90° ELBOW, 1/4"NPT F TO 1/4" NPT F	6-0967
1	1/4" CLOSE NIPPLE	B7025371

AIR / HYDRAULIC PUMP



ITEM	QTY.	DESCRIPTION	PART #
1	1	RESEVOIR CAP ASSEMBLY	6-3348
2	1	RELEASE GUIDE ASSEMBLY	6-3349
3	1	FLOW RESTRICTOR ASSEMBLY	6-3350
4	1	COUPLER ASSEMBLY	6-3351
5	1	COUPLING V-RETAINER	6-3352
6	1	WASHER	6-3353
7	1	HYDRAULIC CYLINDER ASSEMBLY	6-3354
8	1	AIR PISTON ASSEMBLY	6-3355
9	1	AIR MOTOR ASSEMBLY	6-3356
10	1	COUPLER KIT	6-3357
12	1	RELIEF VALVE ASSEMBLY	6-3359
13	1	BASE	6-3360
14	1	RESERVOIR	6-3361
15	1	POPPET GUIDE ASSEMBLY	6-3365
16	1	BOOT	6-3368
17	1	RUBBER SLEEVE	6-3366
18	1	HANDLE	6-3367